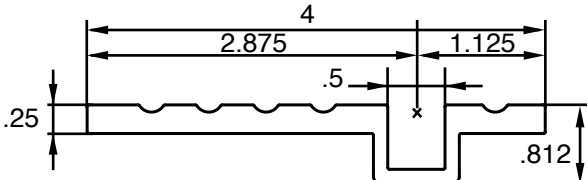
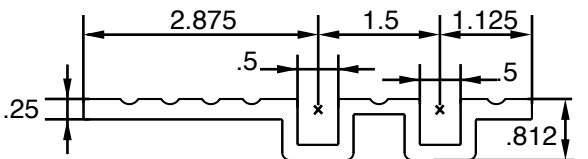
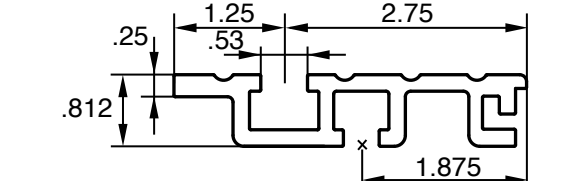
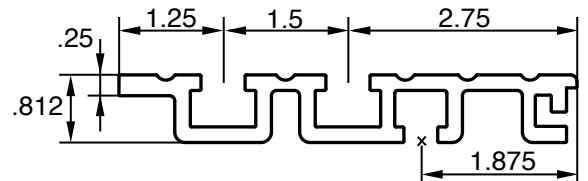
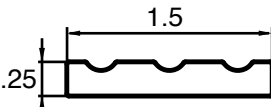
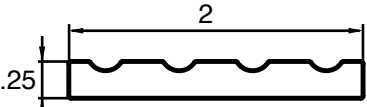
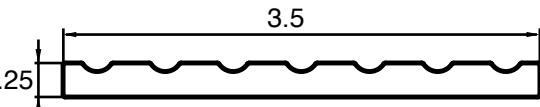
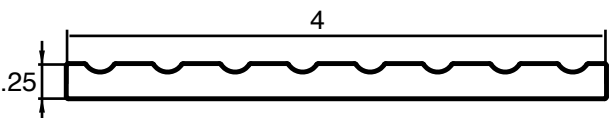


Stock Elevator Sills

Type		Alloy	Length	Wt./Ft.
Single-Speed Cab Sill Die #31293		Architectural Bronze Nickel Silver	7', 8', 10' Lengths	4.13
Double-Speed Cab Sill Die #31294		Architectural Bronze Nickel Silver	7', 8', 10' Lengths	5.96
Single-Speed Hoistway Sill Die #31255		Architectural Bronze Nickel Silver	7', 8', 10' Lengths	5.12
Double-Speed Hoistway Sill Die #31256		Architectural Bronze Nickel Silver	7', 8', 10' Lengths	7.13
Extensions/ (Saddles)	 Die #31295 Wt./Ft. - 1.27			
	 Die #31296 Wt./Ft. - 1.69			
	 Die #31297 Wt./Ft. - 2.97			
	 Die #31503 Wt./Ft. - 3.4			
Available in Architectural Bronze and Nickel Silver in 12'-4' lengths.				